

# 1200PCSx0.2W 200W LED STUDIOS PANEL SOFT LIGHT

**KJ-S1200**

## Light source

Light source: 1200pcs\*0.2W white color LED  
LED life expectancy: 50000 hours

## Optical System & Effects

High brightness, outstanding washing effect  
Outstanding strobe effect with variable speed

Color rendering index: RA ≥ 95

Special indication: R9 ≥ 90, R15 ≥ 90

Color temperature: 3200K / 5600k, pure light without noise and shadow, rich saturated color and soft tone

Dimming: 0 ~ 100% linear dimming, from 0 to 100% perfect dimming system without color change.

Optics: 120 degree light output angle, 24K flicker free light source management system

Cooling mode: Fan free air convection cooling design

Temperature monitoring: built in temperature protection sensor, through automatic regulation of lamp power for over temperature protection.

Protection Rating: IP20

## Control and Program

Display: LED Digital display

Control Mode: DMX512, Master-slave, Sound control, Automatic

DMX Protocol modes: 2

DMX Protocol modes: 1,2 Channels

## Electrical and Connectors

Power supply with electronic auto-ranging

Input voltage range: 100-240V~ 50/60Hz

Power consumption: 200W

Power In/Out: Power in/out

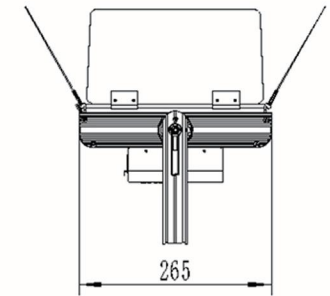
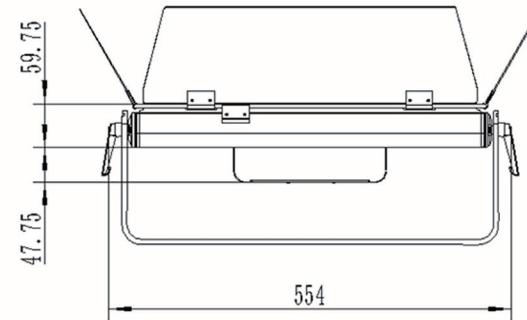
Data in/out: 3-pin or 5-pin

Box Dimension: 60x35x21 CM

Weight: 10 KG



Size mm(in)



Local Details

