

# 6PCSx12W LED BATTERY POWERED PAR LIGHT

KP-612B

## Light source

Light Source: 6 x 12W 6 in 1 RGBWAUV LED  
LED life expectancy: 20000 hours

## Optical system

Advanced optical system  
Beam Angle: 15°, 25°, 40°  
Luminous Flux: 10000lm (45°)

## Control and Program

Display: LED function show  
Protocols: DMX512, Master/Slave, Automatic, Sound control  
DMX Protocol modes: 2  
Channel Modes: 6, 10  
Dimmer resolution: 16 bit

## Features

Compact size, light weight, high light efficiency, low energy consumption  
Double bracket design, and multiple installation methods are available.  
Outstanding strobe effect with variable speed  
Protection Rating: IP20  
0~100% smooth dimming  
Battery Using housing: 3 hours of full color, 15 hours of single color  
Built-in wireless DMX receiver and battery with IR remote control

## Electrical and Connectors

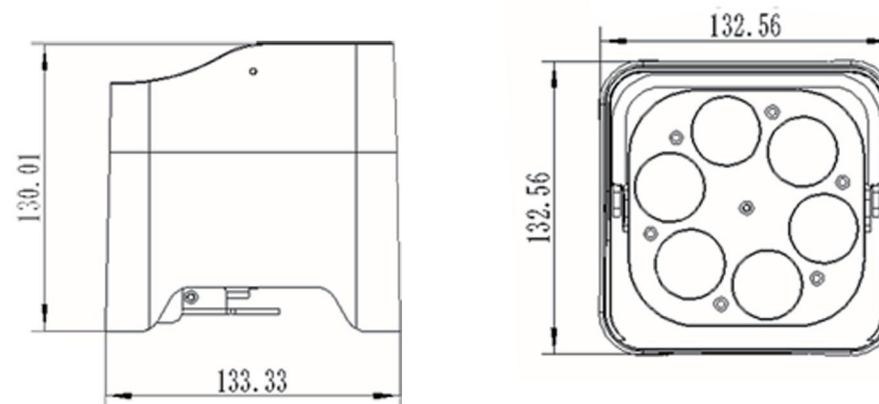
rical and Connectors  
Input voltage range: 100-240V~ 50/60Hz  
Power consumption: 80W  
Power In/Out: Power connector In/Out  
Data in/out: 3-pin XLR In/Out  
Inner box size: 178x170x193mm  
Master box size: 375x360x410mm  
Weight: 1.8Kg

## Included items

User Manual  
Power Cable  
DMX Cable



## Size mm(in)



## Local Details

