

4PCSx12W LED BATTERY POWERED PAR LIGHT

KP-412B

Light source

Light Source: 4 x 12W 6 in 1 RGBWAUV LED
LED life expectancy: 20000 hours

Optical system

Advanced optical system
Beam Angle: 15°, 25°, 40°
Luminous Flux: 10000lm (45°)

Control and Program

Display: LED function show
Protocols: DMX512, Master/Slave, Automatic, Sound control
DMX Protocol modes: 2
Channel Modes: 6,10
Dimmer resolution: 16 bit

Features

Compact size, light weight, high light efficiency, low energy consumption
Double bracket design, and multiple installation methods are available.
Outstanding strobe effect with variable speed
Protection Rating: IP20
0~100% smooth dimming
Battery Using housing: 3 hours of full color, 15 hours of single color
Built-in wireless DMX receiver and battery with IR remote control

Electrical and Connectors

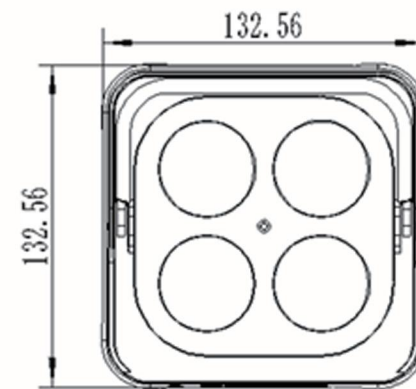
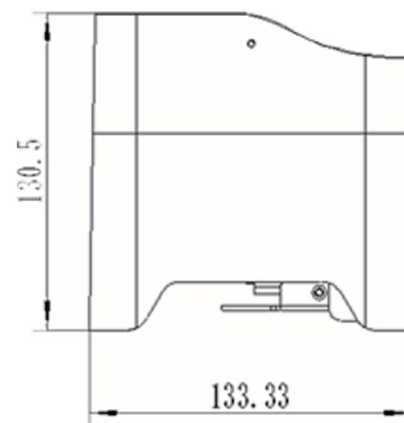
rical and Connectors
Input voltage range: 100-240V~ 50/60Hz
Power consumption: 60W
Power In/Out: Power connector In/Out
Data in/out: 3-pin XLR In/Out
Inner box size: 178x170x193mm
Master box size: 375x360x410mm
Weight: 1.8Kg

Included items

User Manual
Power Cable
DMX Cable



Size mm(in)



Local Details

