

19PCSx25W LED ZOOM MOVING HEAD

KM-320Z

Features

Light source: 19x25W RGBW LED With powerful beam and wash effects

Individual control of each LED rings Outstanding color macro effect

Variable CTO: 2500K - 8000K

Motorized linear zoom system

Zoom range: 10°~60° Outstanding strobe effect with variable speed

0~100% smooth dimming Fast and mute operating Flicker free

managementDust-proof and oil-proof design

Maximum connected quantity:

6 sets (120V, 60Hz)

11 sets (230V, 50Hz)

Control and Program

Protocols: DMX512, Master slave, Sound Active, RDM

DMX Protocol modes: 3

Control channels: 14,26,30

Pan/Tilt Resolution: 16 bit

Dimmer: 16 bit

Upgrade the firmware via DMX link

PAN & TILT

Pan/Tilt movement: 540° / 270°

Automatic Pan/Tilt position correction

Construction

Display: LED 2.4G color screen + 4 touch buttons selection menu

Data in/out: 3-pin and 5-pin XLR

Power In/Out: Power Connector in/out

Protection Rating:IP20

Automatic Pan/Tilt position correction

Electrical and Connectors

Power supply with electronic auto-ranging

Input voltage range: 100~240V~ 50/60Hz

Power consumption: 480 W

Box Dimensions:365x240x505mm

F/C Dimension:750x500x550mm

Weight:11KG

F/C weight:45KG(Dual loader Case)

Included Items

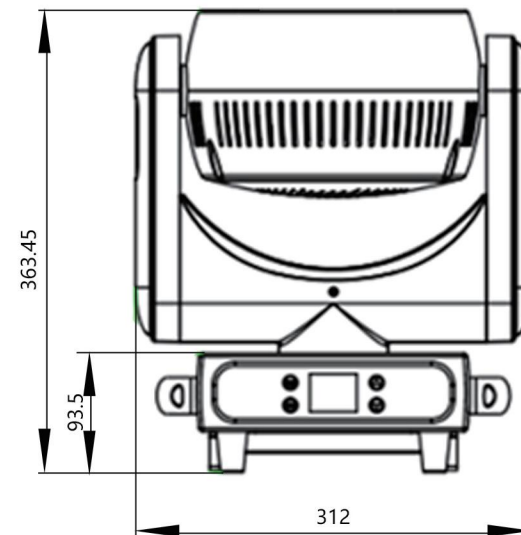
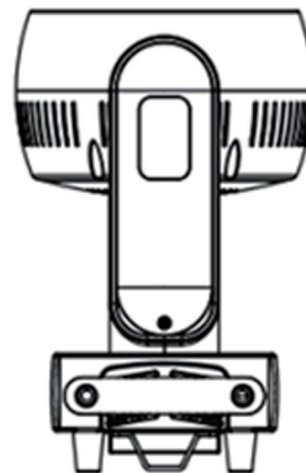
User Manual

Power Cable

2x Fast-locked clamps



Size mm(in)



Local Details

