

37PCSx15W LED ZOOM MOVING HEAD

KM-500Z

Features

Light source: 37x15W RGBW LED
LED life expectancy: 20000 hours With powerful beam and wash effects
Individual control of each LED rings Outstanding color macro effect
Variable CTO: 2500K - 8000K Electronic linear zoom system
Zoom range: 10°~60°
Outstanding strobe effect with variable speed 0~100% smooth dimming
Maximum connected quantity:
3 sets (120V, 60Hz)
5 sets (230V, 50Hz)

Control and Program

Protocols: DMX512, Master slave, Sound Active, RDM
DMX Protocol modes: 5
Control channels: 10,15,21,25,37
Pan/Tilt Resolution: 16 bit
Dimmer: 16 bit
Upgrade the firmware via DMX link

PAN & TILT

Pan/Tilt movement: 540° / 270°
Automatic Pan/Tilt position correction

Construction

Display: LED 2.4G color screen + 4 touch buttons selection menu
Data in/out: 3-pin and 5-pin XLR
Power In/Out: Power Connector in/out
Protection Rating: IP20
Automatic Pan/Tilt position correction

Electrical and Connectors

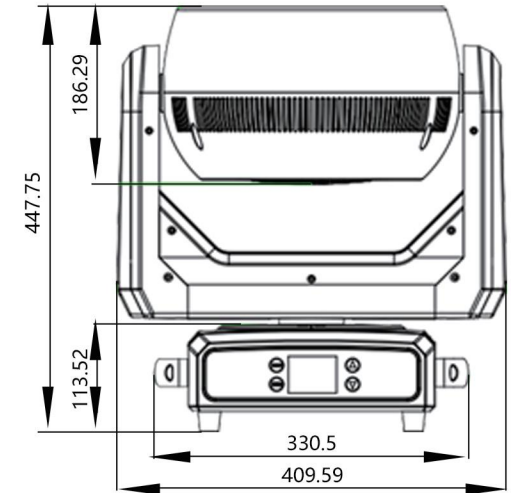
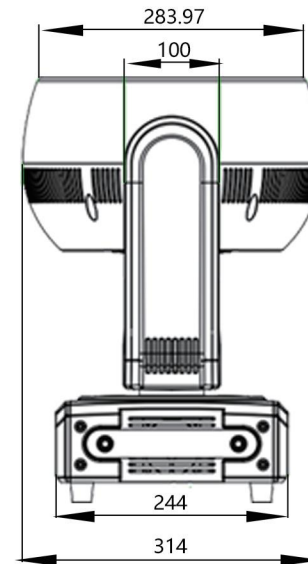
Power supply with electronic auto-ranging
Input voltage range: 100~240V~ 50/60Hz
Power consumption: 500 W
Box Dimensions: 490x350x620mm
F/C Dimension: 985x455x740mm
Weight: 19KG
F/C weight: 65KG (Dual loader Case)

Included Items

User Manual
Power Cable
2x Fast-locked clamps



Size mm(in)



Local Details

