

# 300W Beam Moving Head With Light Ring With Philips Lamp

## 300BEAM

### Light Source

Light Source: 300W Philips lamp & 36pcsx0.5W RGB SMD LEDs  
Life expectancy: 6,000 hours

### Optical System

Advanced optical system ensure clear, sharp image quality  
High-efficiency optical system  
Beam angle: 0-4°

### Control & Program

4-button touch panel  
Display: Color display  
Protocols: DMX512, Sound Active, Automatic, Master/Slave, RDM  
DMX modes: 2  
Control channels: 17, 20 channels  
Pan/Tilt resolution: 16-bit  
Electronic ballast  
Firmware Upgrade via DMX link & USB

### PAN & TILT

Pan movement: 540°  
Tilt movement: 270°  
Automatic Pan/Tilt position correction

### Static Gobos

1x static gobo wheel with 15 gobos plus open

### Color Wheel

1x color wheel with 14 colors plus white bidirectional rainbow effect

### Prism

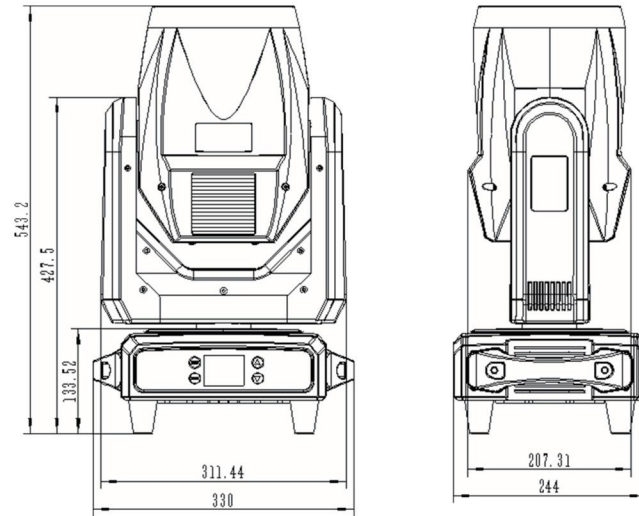
Equipped with 1 8-prism, 16 prism, and tower mirror, the 16 prism can rotate and overlap with the tower mirror or 8 prism in both directions

### Electrical & Connectors

Power supply with electronic auto-ranging  
Input voltage range: 100-240V~ 50/60Hz  
Power consumption: 375W  
power connector in/out  
Data in/out: 3-pin or 5-pin XLR  
Carton Dimensions: 490x340x620mm  
Weight: 18kg



### Size mm(in)

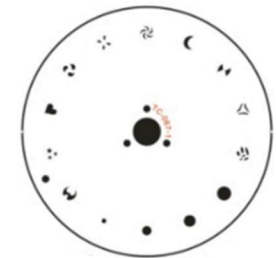


### Functional Effect

#### Color Wheel



#### Static Gobo Wheel



### Local Details

